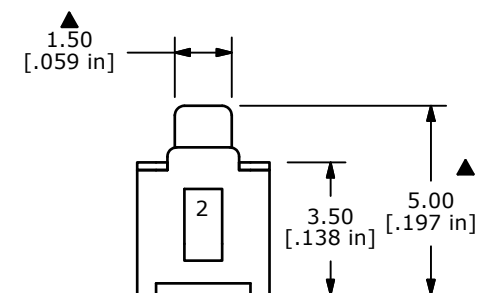
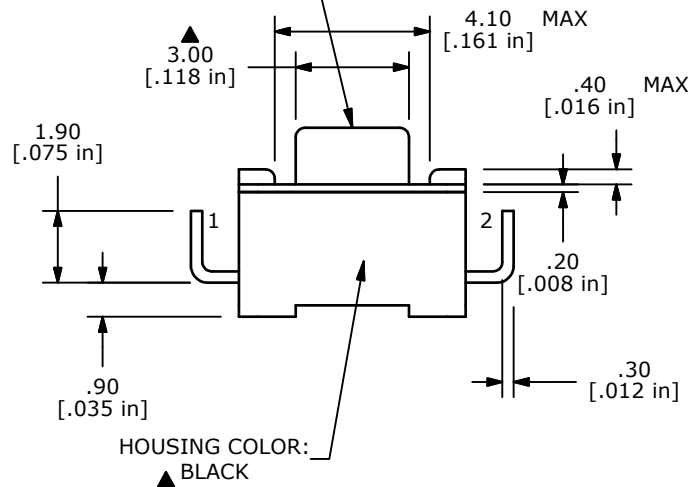


ACTUATOR COLOR:
▲ WHITE



- NOTES:
1. ALL DIMENSIONS IN MM [INCH]
 2. TERM. NOS. FOR REF. ONLY
 3. GENERAL TOLERANCE: x.x = ± 0.4
x.xx = ± 0.25
 - ▲ 4. RATING: 50mA @ 12 VDC
 5. TRAVEL: 0.25 mm +0.2 / -0.1
 6. CONTACT RESISTANCE: 100m OHMS MAX.
 7. LIFE CYCLES: 50,000 CYCLES MIN.
 8. PACKAGE: BULK 1,000 PCS PER BAG
 - ▲ 9. OPERATING FORCE: 130 ± 50 gf
 10. ▲ DENOTE CRITICAL PARAMETER
 11. 2002/95/EC (ROHS) COMPLIANT



B	21612	CHANGED COLOR TO WHITE	10/14/14	AS
A	21078	New Drawing Release	3/22/13	EBP
REV	PCR NO	DESCRIPTION	DATE	BY

TITLE TL1107BF130EQ				
SCALE	DATE	DR	DWG	REV
	3/22/2013	EBP	P010397	B

THE INFORMATION CONTAINED IN THIS DOCUMENT IS PROPRIETARY TO E-SWITCH AND IS NOT TO BE COPIED OR TRANSFERRED